

**MAFFS SEALS PVT. LTD.**

We seal everything including your confidence

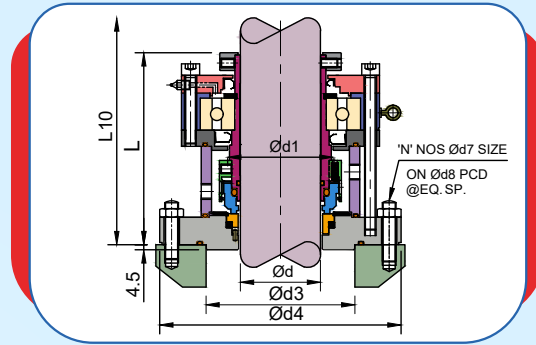
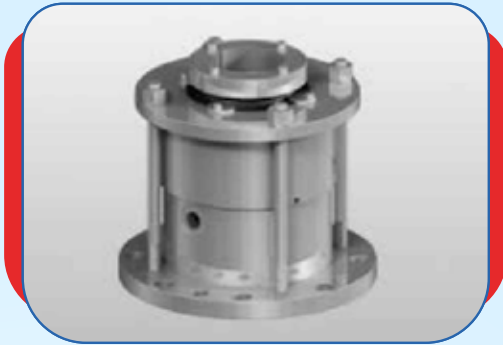


# MECHANICAL SEAL & SEAL SUPPORT SYSTEM



## SINGLE AGITATOR SEALS

## MSWSB



### PRODUCT FEATURES

- Single acting
- Reverse Balanced
- Outside mounted
- With Bearing
- Independent of direction of rotation

### APPLICATIONS: (Typical Industrial)

- Corrosive application
- General light chemicals
- Food products
- Pharmaceutical products

### OPERATING CONDITIONS :

- Shaft diameter : 25....150mm
- Pressure: Vacuum: 8 bar (max)
- Temperature: Ambient....+250°C
- Speed : 320 rpm

### FACE MATERIALS: (Combination)

- Carbon, Silicon Carbide, Ceramic, Tungsten Carbide

### METAL PARTS:

- SS 304, SS 316, Hast - C, Alloy 20

### ELASTOMERS:

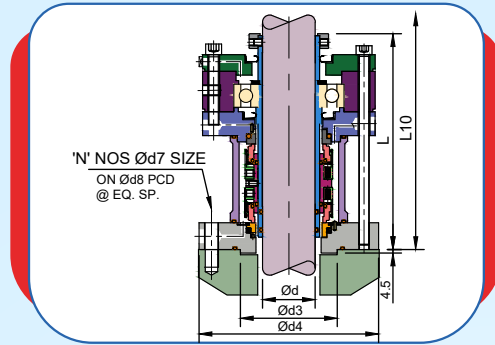
- EPDM, Viton, NBR, FFKM

SHAFT Ød	SEAL SIZE ØD1		Ød3	Ød4	NxØd7	Ød8	L	L10
	inch	mm						
25.0	1.375	34.92	75.0	152.0	4 x M10	132.0	195.0	235.0
30.0	1.625	41.28	80.0	158.0	4 x M10	136.0	195.0	235.0
35.0	1.750	44.45	85.0	163.0	4 x M10	140.0	205.0	245.0
40.0	2.000	50.80	90.0	168.0	4 x M10	147.0	205.0	245.0
45.0	2.125	53.98	95.0	177.0	4 x M10	158.0	210.0	250.0
50.0	2.375	60.32	100.0	177.0	4 x M10	158.0	210.0	250.0
55.0	2.625	66.68	105.0	200.0	6 x M12	178.0	215.0	255.0
60.0	2.750	69.85	110.0	205.0	6 x M12	182.0	215.0	255.0
65.0	3.000	76.00	115.0	212.0	6 x M12	187.0	215.0	255.0
70.0	3.250	82.55	120.0	217.0	6 x M12	192.0	215.0	255.0
75.0	3.375	85.72	125.0	222.0	6 x M12	197.0	220.0	260.0
80.0	3.625	92.07	130.0	227.0	6 x M12	202.0	220.0	260.0
85.0	3.750	95.25	135.0	250.0	8 x M16	222.0	235.0	265.0
90.0	4.000	101.60	140.0	258.0	8 x M16	227.0	235.0	275.0
95.0	4.125	104.78	145.0	275.0	8 x M16	247.0	245.0	285.0
100.0	4.375	111.12	160.0	282.0	8 x M16	250.0	245.0	285.0
105.0	4.500	114.30	165.0	287.0	8 x M16	253.0	250.0	290.0
110.0	4.750	120.65	170.0	292.0	8 x M16	262.0	250.0	290.0
115.0	5.000	127.00	175.0	300.0	8 x M16	265.0	250.0	290.0
120.0	5.125	130.12	180.0	300.0	8 x M16	272.0	250.0	290.0
125.0	5.375	136.52	195.0	322.0	8 x M16	278.0	250.0	290.0
130.0	5.500	139.70	200.0	322.0	8 x M16	282.0	250.0	290.0
140.0	6.000	152.40	210.0	345.0	8 x M16	294.0	260.0	300.0
150.0	6.375	161.92	220.0	365.0	8 x M16	300.0	260.0	300.0

Dimensions for higher sizes available against specific requirement.  
All dimensions in mm.

## DOUBLE AGITATOR SEALS

## MSWDB



### PRODUCT FEATURES

- Single acting
- Reverse Balanced
- Outside mounted
- With Bearing
- Independent of direction of rotation

### APPLICATIONS: (Typical Industrial)

- Petrochemicals & its vapours
- General chemicals & its vapours
- Light hydrocarbons & its vapours

### OPERATING CONDITIONS :

- Shaft diameter : 25....150mm
- Pressure: Vacuum: 35 bar (max)
- Temperature: Ambient....+250°C
- Speed : 600 rpm

### FACE MATERIALS: (Combination)

- Carbon, Silicon Carbide, Ceramic, Tungsten Carbide

### METAL PARTS:

- SS 304, SS 316, Hast - C, Alloy 20

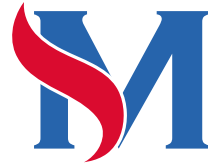
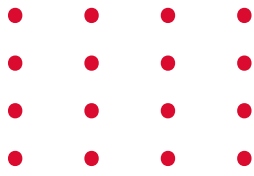
### ELASTOMERS:

- EPDM, Viton, NBR, FFKM

SHAFT Ød	SEAL SIZE Ød1 inch	Ød3	Ød4	NxØd7	Ød8	L	L10
25.0	1.625	75.0	152.0	4 x M10	132.0	240.0	280.0
30.0	1.875	80.0	158.0	4 x M10	136.0	240.0	280.0
35.0	2.000	85.0	163.0	4 x M10	140.0	240.0	280.0
40.0	2.250	90.0	168.0	4 x M10	147.0	250.0	290.0
45.0	2.500	95.0	177.0	4 x M10	158.0	250.0	290.0
50.0	2.625	100.0	177.0	4 x M10	158.0	250.0	290.0
55.0	2.875	105.0	200.0	6 x M12	178.0	282.0	322.0
60.0	3.125	110.0	205.0	6 x M12	182.0	282.0	322.0
65.0	3.375	115.0	212.0	6 x M12	187.0	282.0	322.0
70.0	3.500	120.0	217.0	6 x M12	192.0	288.0	328.0
75.0	3.750	125.0	222.0	6 x M12	197.0	288.0	328.0
80.0	3.875	130.0	227.0	6 x M12	202.0	288.0	328.0
85.0	4.250	135.0	250.0	8 x M16	222.0	292.0	332.0
90.0	4.500	140.0	258.0	8 x M16	227.0	308.0	348.0
95.0	4.875	145.0	275.0	8 x M16	247.0	353.0	393.0
100.0	5.000	160.0	282.0	8 x M16	250.0	353.0	393.0
105.0	5.250	165.0	287.0	8 x M16	253.0	353.0	393.0
110.0	5.375	170.0	292.0	8 x M16	262.0	358.0	393.0
115.0	5.625	175.0	300.0	8 x M16	265.0	358.0	393.0
120.0	5.750	180.0	300.0	8 x M16	272.0	358.0	393.0
125.0	6.000	195.0	322.0	8 x M16	278.0	358.0	393.0
130.0	6.250	200.0	322.0	8 x M16	282.0	425.0	465.0
140.0	6.625	210.0	345.0	8 x M16	294.0	425.0	465.0
150.0	7.000	220.0	365.0	8 x M16	300.0	425.0	465.0

Dimensions for higher sizes available against specific requirement.  
All dimensions in mm.





**MAFFS SEALS PVT. LTD.**

We seal everything including your confidence



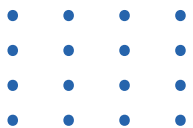
**For more details contact at:**

+919820568022

sales@maffsseals.com

www.maffsseals.com

**Follow us at:**



**Factory Address:**

Gala No. 72, Shorab Compound, R. M. Road,  
Oshiwara, Jogeshwari (W), Mumbai - 400102

**Regd Office:**

303, Badhra Apartment, Western Park, Misquita Wadi,  
Western Express Highway No. 8, Mira Road (East) Dist. Thane 401107, India.